

27U AND 42U STANDING SERVER CABINETS



RIGHT SIDE VIEW

INSIDE VIEW

REAR VIEW

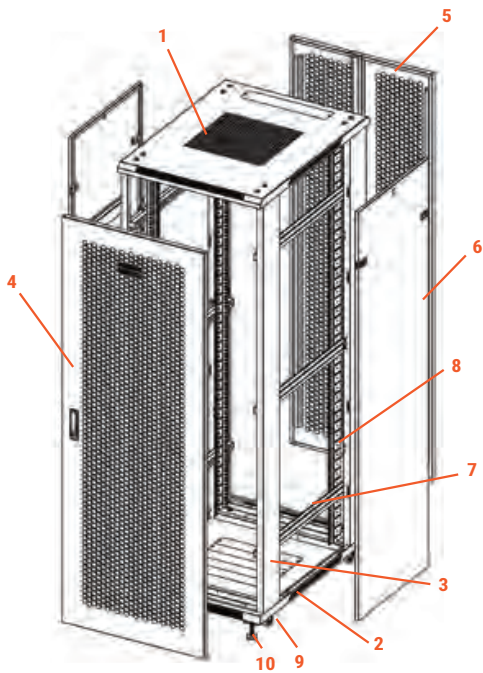


DIAGRAM INFORMATION

COMPONENT	DESCRIPTION	QUANTITY
1	Top Cover	1
2	Bottom Panel	1
3	Door Frame	2
4	Perforated Steel Front Door	1
5	Rear Door	1
6	Side Panel	2
7	Horizontal Beam	6
8	Vertical Rail	4
9	Castor (2 w/ Brake)	4
10	Levelling Feet	4

ORDERING INFORMATION

PART NUMBER	U SIZE	WIDTH	HEIGHT	DEPTH	USABLE DEPTH	LOAD CAPACITY	FAN	RAILS
CBTF-FL27U-32SW	27U	23.6"	54.4"	31.5"	27.0"	1764 LBS.	1 Tray with 4 Fans	#12-24 STANDARD
CBTF-FL42U-32SW	42U	23.6"	80.9"	31.5"	27.0"	1764 LBS.	1 Tray with 4 Fans	#12-24 STANDARD
CBTF-FL27U-40SW	27U	23.6"	54.4"	39.4"	35.0"	1764 LBS.	1 Tray with 4 Fans	M6 CAGE NUT
CBTF-FL42U-40SW	42U	23.6"	80.9"	39.4"	35.0"	1764 LBS.	1 Tray with 4 Fans	M6 CAGE NUT

27U/42U STANDING SERVER CABINETS

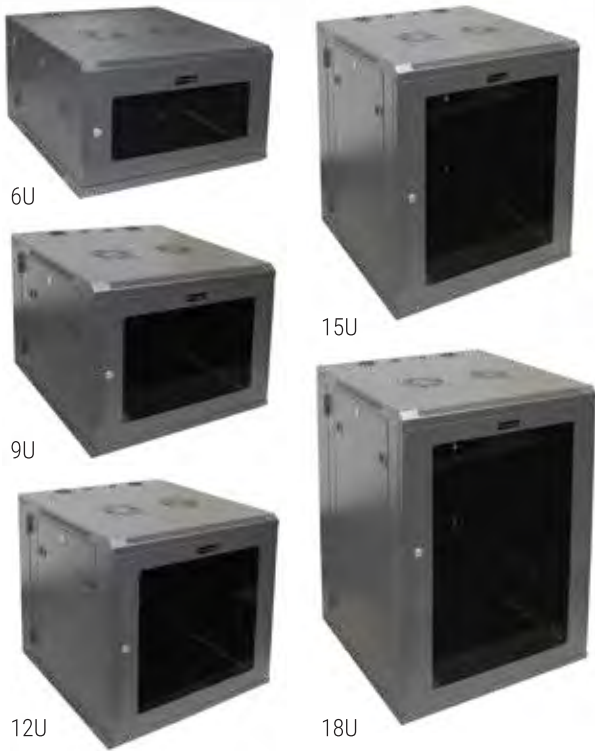


The 6U, 9U, 12U, 15U, 18U, 27U and 42U wall mount and floor standing cabinets are designed for data, voice, A/V servers, storage and networking equipment in enterprise data centers, telecommunication rooms and other network facilities such as main distribution frame (MDF) and intermediate distribution frame (IDF) applications.

The design is packed with some of the most popular cabinet features for most economical price points.

They are built with 24" depth (Wall Mount), 32" and 40" depth (Floor Standing), and are suitable for network servers, battery backups, switching banks, and other larger network equipment. These cabinets feature laser cut knockouts allowing to conduit installs and the removable protective rubber grommets provide for numerous cable routing options.

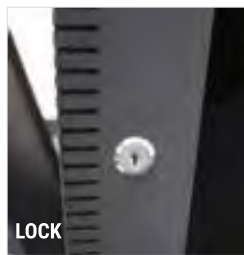
6U/9U/12U/15U/18U WALL MOUNT CABINETS



LEFT SIDE VIEW



INSIDE VIEW



LOCK

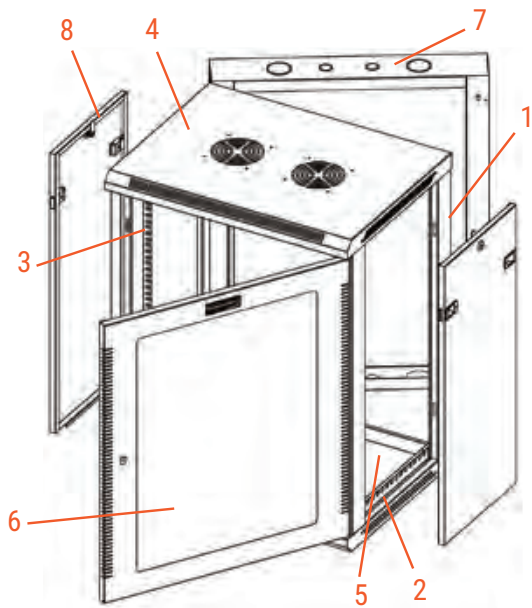


DIAGRAM Information

COMPONENT	DESCRIPTION	QUANTITY
1	Frame	1
2	Horizontal Bracket	4
3	Vertical Rail	2
4	Top Cover	1
5	Bottom Panel	1
6	Tempered Glass Front Door	1
7	Rear Swing Frame	1
8	Side Panel	2

ORDERING INFORMATION

PART NUMBER	U SIZE	WIDTH	HEIGHT	DEPTH	USABLE DEPTH	LOAD CAPACITY	FAN
CBTF-WM6U-SW	6U	23.6"	14.6"	23.6"	18.0"	132 LBS.	1
CBTF-WM9U-SW	9U	23.6"	19.8"	23.6"	18.0"	132 LBS.	1
CBTF-WM12U-SW	12U	23.6"	25.2"	23.6"	18.0"	150 LBS.	1
CBTF-WM15U-SW	15U	23.6"	30.3"	23.6"	18.0"	150 LBS.	1
CBTF-WM18U-SW-1032	18U	23.6"	35.6"	23.6"	18.0"	150 LBS.	1

RAILS: #12-24 or #10-32

2-POST AND 4-POST OPEN FRAME FLOOR RACKS



FEATURES:

- Constructed of high strength aluminum extrusion
- Rated for 1000 lbs static load when evenly distributed
- 19" rackable compatibility
- Available in black and white colors
- Easy installation of equipment using numbered rails
- Rail holes tapped #12-24 (w/ hardware kit included)
- Conforms to EIA-310-E standard
- *Note:* Product ships unassembled



FEATURES:

- Constructed of high strength aluminum extrusion
- Rated for 1500 lbs static load when evenly distributed
- 45U, 19" rackable compatibility
- Adjustable from 27" to 32" maximum depth
- Easy installation of equipment using numbered rails
- #12-24 threaded mounting holes on rails
- EIA/ECA-310-E compliant
- *Note:* Product ships unassembled



ORDERING Information

PART NUMBER	DESCRIPTION	LOAD CAPACITY
2POST-45U	7', Aluminum, #12-24 Threaded Mounting Holes, Number Marking on Rails, EIA/ECA-310-E (Revision of EIA-310-D) Compliant. Made In USA	1000 LBS.
4POST-45U	7', Steel, #12-24 Threaded Mounting Holes, Number Marking on Rails, Adjustable Depth, EIA/ECA-310-E (Revision of EIA-310-D) Compliant. Made in USA	1500 LBS.

8U/15U/30U OPEN FRAME WALL RACKS



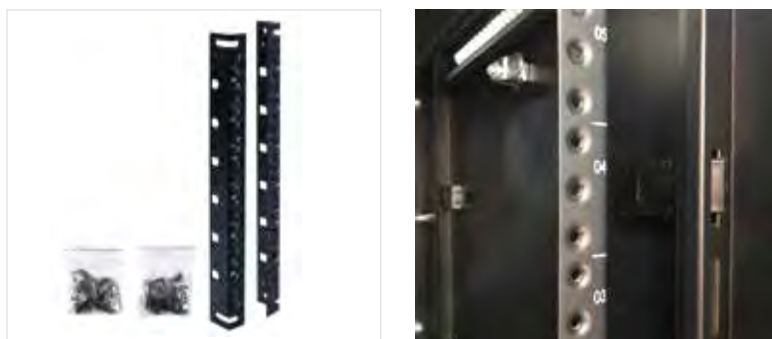
FEATURES:

- 8U / 15U / 30U, 18" deep, Rack Mount Unit (RMU) Number Markings on Rails
- 18" depth, Compatible with 19" wide equipment
- Two-piece design with cable tie points slots
- 12-24 tapped rails and 19" wide EIA compliant
- Up to 150 lbs. weight capacity
- Suitable for wall mount or floor restricted areas

ORDERING Information

PART NUMBER	U SIZE	DESCRIPTION	DIMENSIONS	LOAD CAPACITY
WMR-8U-SW	8U	18" Deep, RMU Number Markings on Rails	19.6"W x 17.8"H x 18.0"D	110 LBS.
WMR-15U-SW	15U	18" Deep, RMU Number Markings on Rails	19.6"W x 30.0"H x 18.0"D	130 LBS.
WMR-30U-SW	30U	18" Deep, RMU Number Markings on Rails	19.6"W x 54.4"H x 18.0"D	150 LBS.

6U/9U/12U/15U WALL MOUNT CABINET RAIL KITS



FEATURES:

- Material: 11 Gauge (1/8" thick) Cold Rolled Steel
- Finish: Black Powder Coat
- Comes with #10-32 Rails Kit, 2pcs., w/4pcs. Mounting Screws & 12pcs. #10-32 Screws

ORDERING Information

PART NUMBER	U SIZE	DESCRIPTION	DIMENSIONS	PACKAGE
CBTF-WM6U	6U	Double Section Swing Out 6U Wall Mount Cabinets	23.6"W x 14.6"H x 23.6"D	SINGLE
CBTF-WM9U	9U	Double Section Swing Out 9U Wall Mount Cabinets	23.6"W x 19.8"H x 23.6"D	SINGLE
CBTF-WM12U	12U	Double Section Swing Out 12U Wall Mount Cabinets	23.6"W x 25.2"H x 23.6"D	SINGLE
CBTF-WM15U	15U	Double Section Swing Out 15U Wall Mount Cabinets	23.6"W x 30.3"H x 23.6"D	SINGLE
CBMT18U-1032	18U	Double Section Swing Out 18U Wall Mount Cabinets	23.6"W x 35.6"H x 23.6"D	SINGLE

LADDER RACK CABLE RUNWAY SYSTEM

SELECTION GUIDE

FOR CABLE RUNWAY, CABINETS, CABLE MANAGEMENT, RACKS, BRACKETS & ACCESSORY SOLUTIONS

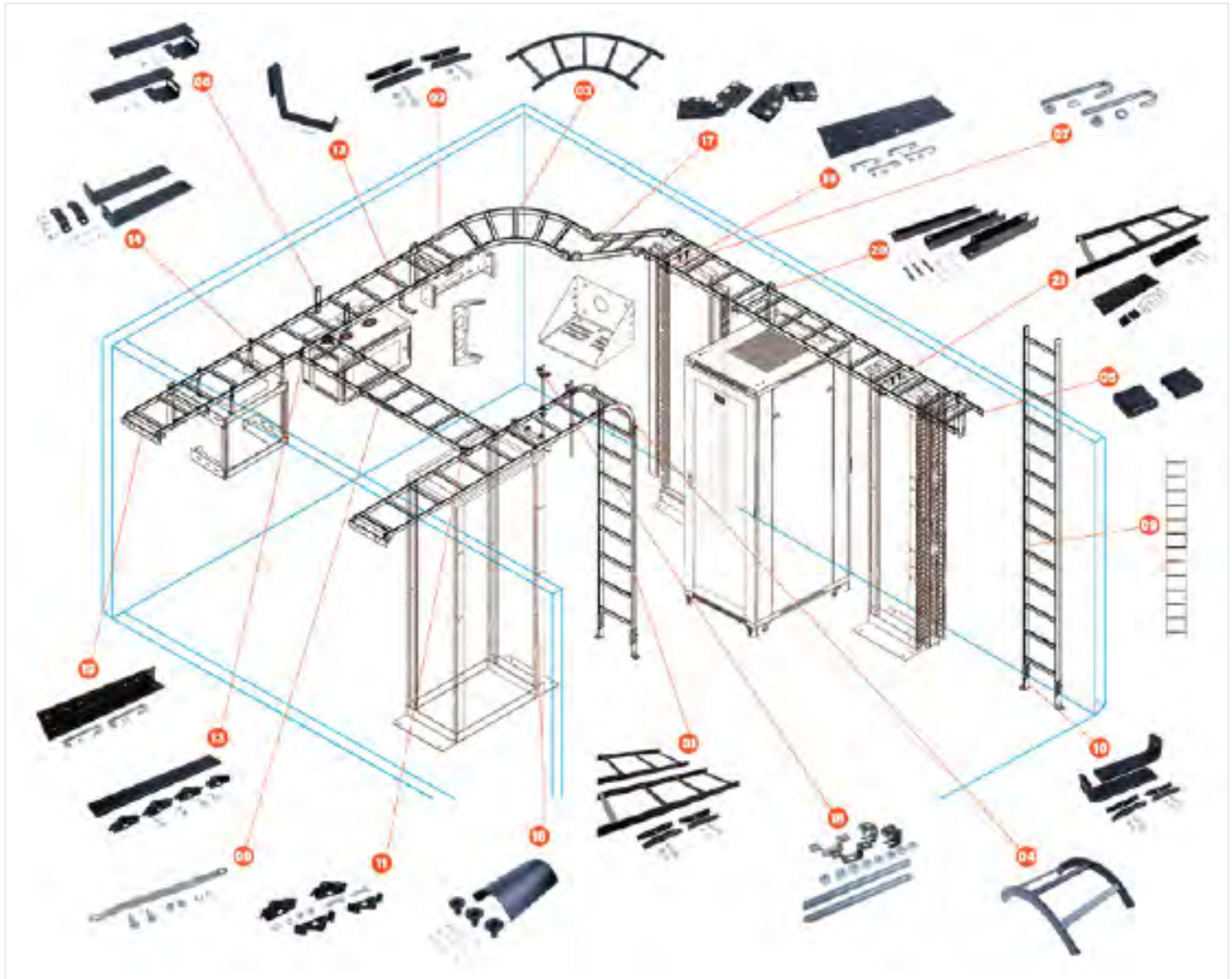


DIAGRAM Information

No.	DESCRIPTION	PART NUMBER
01	5' Ladder Rack Runway w/ Butt-Splice Kit	WL-5SS2PC-KIT
02	Butt-Splice Kit	WL-BSKTPR-BK
03	Radius Horizontal Bend Ladder	WL-FT9012-BK
04	Universal Radius Bend Ladder	WL-IR9012-BK
05	Ladder Rack End Cap	WL-LRA2EC-BK
06	Retaining Post Kit	WL-LRA06RPK-BK
07	J-Bolt Kit (5/16")	WL-LRA300JK
08	Grounding Strap With Hardware	WL-LRAGK
09	Cable Runway 10 Foot	WL-LR1210-BK
10	Floor Mount Bracket	WL-RA2FA-BK
11	T-Junction Bracket Kit	WL-RA2JT-BK

No.	DESCRIPTION	PART NUMBER
12	L Bracket - Cable Runway	WL-RA5LB-BK
13	Ladder Termination Kit	WL-RA12TK-BK
14	Stand-Off Elevation Kit 4" - 6"	WL-RA46SK-BK
15	Rack to Runway Plate	WL-RA123RP-BK
16	Cable Radius Drop	WL-RASD-BK1
17	Butt Splice Kit - Swivel/Adjustable	WL-RASSK-BK
18	Ceiling Mount Kit 5/8"	WL-RATRCK-BK
19	Wall Angle Support Bracket	WL-WASB12-BK
20	Triangle Wall Support	WL-WSB12-BK
21	5' Ladder Rack Runway Bracket Kit	WL-R1205-KIT

LADDER RACK CABLE RUNWAY SYSTEM

5' Ladder Rack Runway w/ Butt-Splice Kit



Butt-Splice Kit



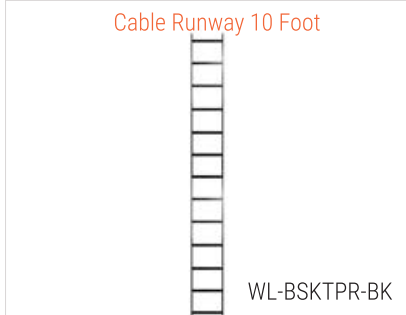
Radius Horizontal Bend Ladder



Universal Radius Bend Ladder



Cable Runway 10 Foot



Ladder Rack End Cap



Retaining Post Kit



J-Bolt Kit (5/16")



Grounding Strap With Hardware



Floor Mount Bracket



T-Junction Bracket Kit



L Bracket - Cable Runway



Ladder Termination Kit



Stand-Off Elevation Kit 4"- 6"



Rack To Runway Plate



LADDER RACK CABLE RUNWAY SYSTEM

Cable Radius Drop



WL-FT9012-BK

Butt Splice Kit - Swivel/Adjustable



WL-RASSK-BK

Ceiling Mount Kit 5/8"



WL-RATRCK-BK

Wall Angle Support Bracket



WL-WASB12-BK

Triangle Wall Support



WL-WSB12-BK

5' Ladder Rack Runway Bracket Kit



WL-R1205-KIT

ORDERING Information

PART NUMBER	DESCRIPTION
WL-5SS2PC-KIT	5' Ladder Rack Runway W/ Butt-Splice Kit
WL-BSKTPR-BK	Butt-Splice Kit
WL-IR9012-BK	Radius Horizontal Bend Ladder
WL-LRA2EC-BK	Universal Radius Bend Ladder
WL-FT9012-BK	Ladder Rack End Cap
WL-LRA300JK	Retaining Post Kit
WL-LRAGK	J-Bolt Kit (5/16")
WL-LR1210-BK	Grounding Strap with Hardware
WL-RA2FA-BK	Cable Runway 10 Foot
WL-LRA06RPK-BK	Floor Mount Bracket
WL-RA2JT-BK	T-Junction Bracket Kit

PART NUMBER	DESCRIPTION
WL-RA5LB-BK	L Bracket - Cable Runway
WL-RA12TK-BK	Ladder Termination Kit
WL-RA46SK-BK	Stand-Off Elevation Kit 4" - 6"
WL-RA123RP-BK	Rack to Runway Plate
WL-RASD-BK1	Cable Radius Drop
WL-RASSK-BK	Butt Splice Kit - Swivel/Adjustable
WL-RATRCK-BK	Ceiling Mount Kit 5/8"
WL-WASB12-BK	Wall Angle Support Bracket
WL-WSB12-BK	Triangle Wall Support
WL-R1205-KIT	5' Ladder Rack Runway Bracket Kit



**CABLES THAT MEET
HIGH PERFORMANCE
STANDARDS
OF TODAY'S BUSINESS**

